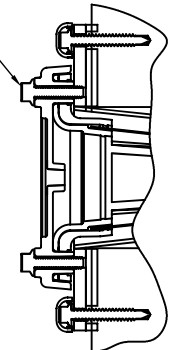
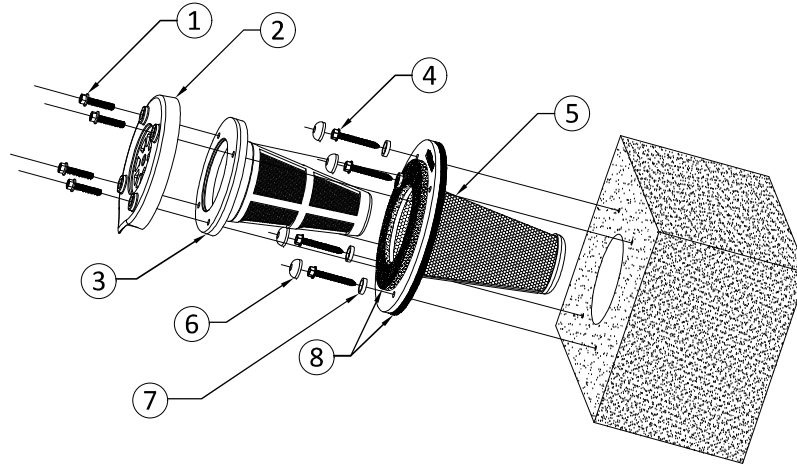




① ¼-20 X 1" SCREW  
Removable to maintain or replace the filter cartridge.

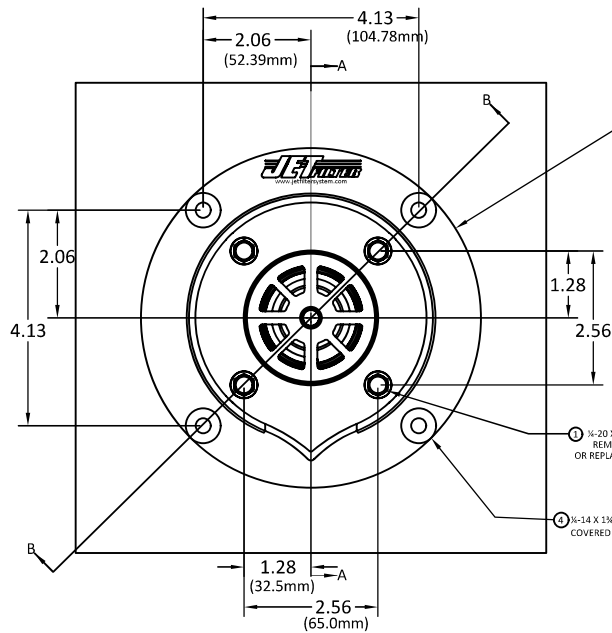


CROSS SECTION B-B  
STANDARD HOUSING AND  
FILTER ASSEMBLY MOUNTING

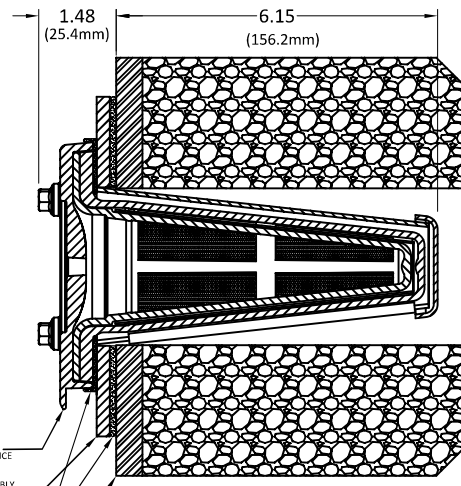


#	ITEM	DESCRIPTION	QTY
1	Screw, Filter Cartridge Mtg.	¼-20x1" Screw, 316 SS with 3/8" hex head	4
2	JF3-FP	Cartridge Face Plate	1
3	JF3-FC	Filter Cartridge Assembly	1
4	Screw, Filter Housing Mtg.	¼-14x1¾" Screw, 316 SS with 5/16 hex head	4
5	JF3-HSS	Filter Housing Assembly	1
6	PT4CBR100	Plastic Protection Cap	4
7	PT4W100	Plastic Protection Washer	4
8	Gaskets, Filter & Housing Mtg.	Neoprene Rubber/EPDM Polymetric Blend	1 EA

PILOT HOLE SIZES FOR MOUNTING:  
CONCRETE/MSE: 3/16  
STEEL: 7/32" to 15/64" (5.5mm to 6mm)  
VINYL: PILOT HOLE NOT REQUIRED  
COMPOSITE: PILOT HOLE NOT REQUIRED  
WOOD: PILOT HOLE NOT REQUIRED



Ø6.50 FILTER HOUSING  
(165.1mm) OUTSIDE DIAMETER



CROSS SECTION A-A

① ¼-20 X 1" MOUNTING SCREW  
REMOVABLE TO MAINTAIN  
OR REPLACE THE FILTER CARTRIDGE

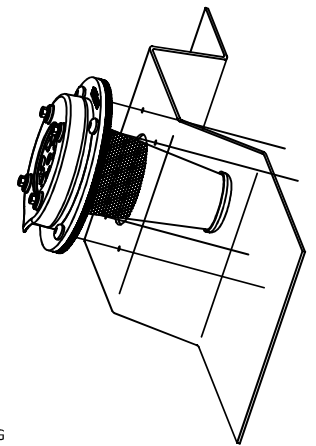
④ ¼-14 X 1¾" PERMANENT MOUNTING SCREW  
COVERED WITH A PLASTIC PROTECTION CAP.

③ FILTER CARTRIDGE ASSEMBLY  
REMOVABLE FOR MAINTENANCE

⑤ FILTER HOUSING ASSEMBLY  
PERMANENT MOUNT

⑧ 0.250 THICK CLOSED CELL FOAM GASKETS  
COMPRESSED TO APPROXIMATELY 60% (+/- 20%)

RETAINING WALL FACE  
(CONCRETE/MSE, STEEL, VINYL, COMPOSITE, WOOD)



REV	DATE	DESCRIPTION	INITIALS
01	20210603	ADD TO PROJECT CAPS, GASKETS, HOLES, DRILL LITTLE HOLE & SHARDED WALLS	LB
02	20211118	CORRECTED FASTENERS INFORMATION	LB
03	20240827	ADDED METRIC MEASUREMENTS	LB
04	20250227	ADDED A QR CODE LINK TO THE WEBSITE	LB
05	20250612	CORRECTED MEASUREMENT INFORMATION	LB

UNLESS OTHERWISE SPECIFIED, DIMENSIONS ARE IN INCHES  
TOLERANCES:  
ANGULAR: ± 1.0°  
TWO PLACE DECIMAL: ± 0.01  
THREE PLACE DECIMAL: ± 0.005

DRAWING NAME:  
3"(76.2mm) Dia. Open End JET Filter  
PATENT # 7,615,148

DRAWN BY: LB	SHEET 1 OF 1	SCALE: 1:1	REV: 05
20250227		JF3SS	

Filter Housing Mounting Flange: ¼-inch 316L Stainless Steel  
Filter Housing Cone: 16 Gauge 316L Stainless Steel perforated with ¼-inch holes, staggered 5/16-inch  
Filter Cartridge: UV Protected ABS  
Filter Media: 17.44 square inches of flowable Tencate Mirafi Woven Fabrics FW300

