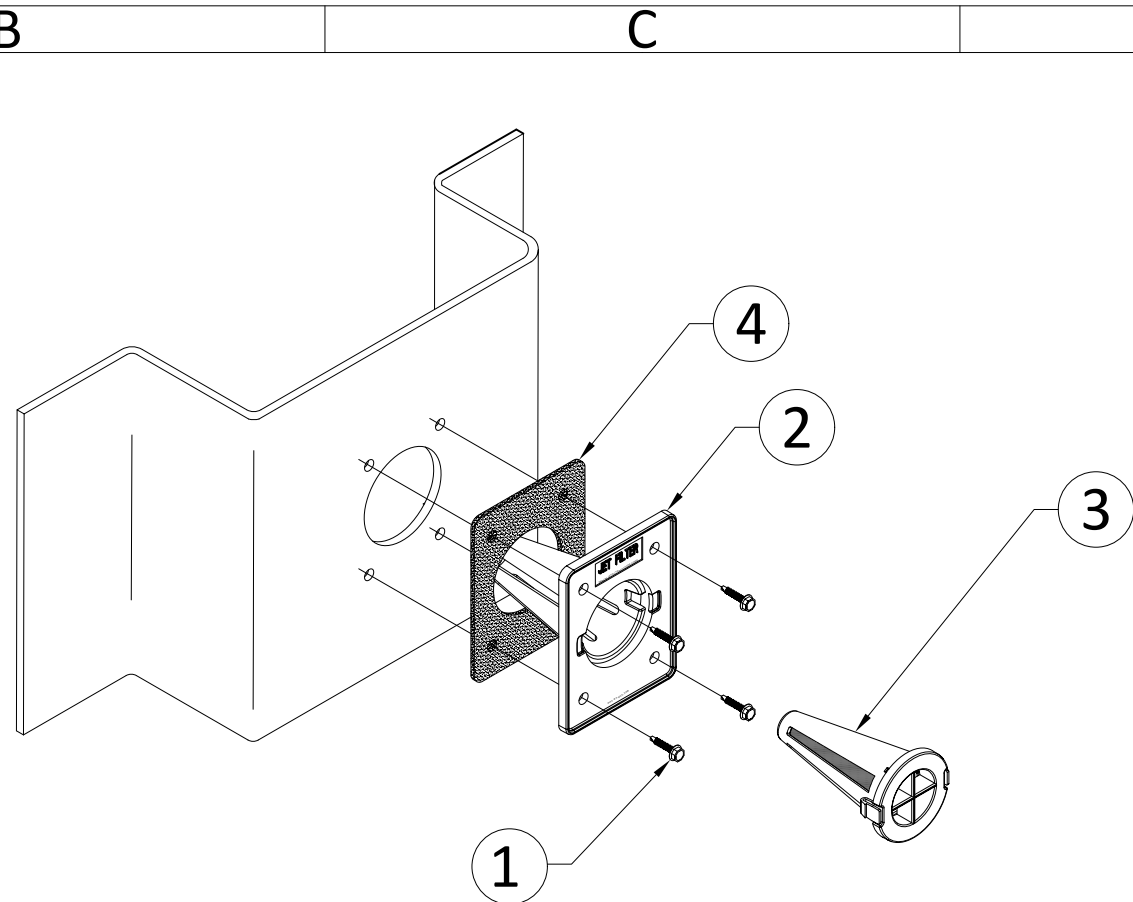


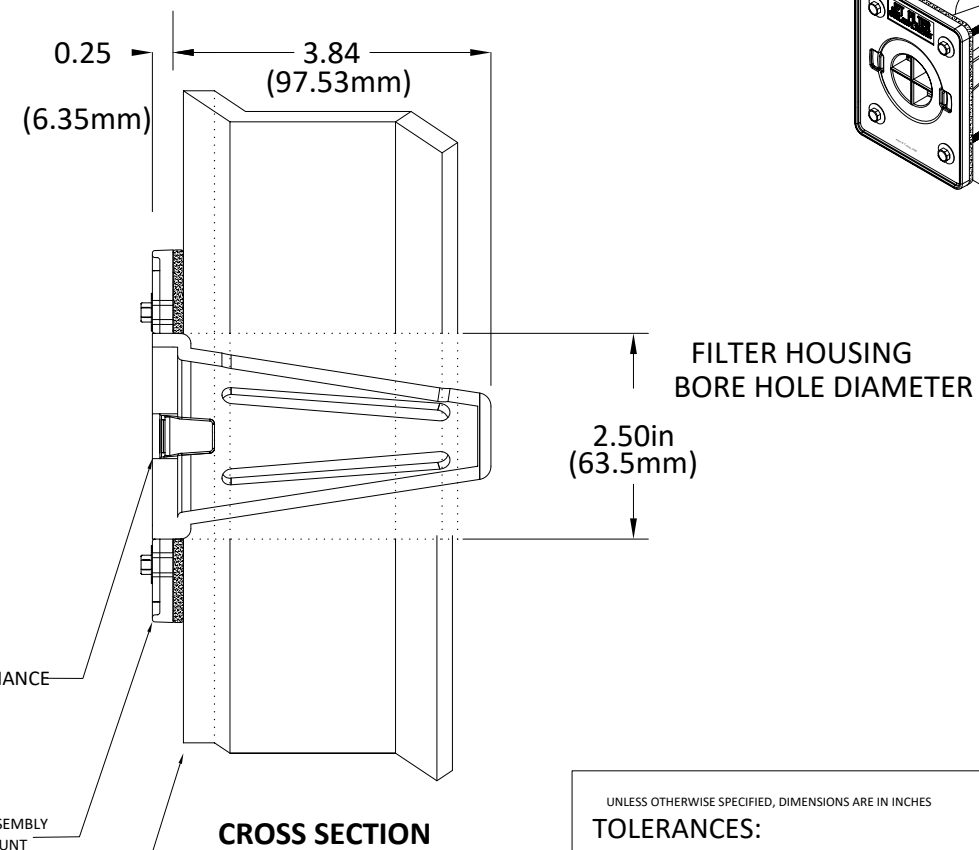
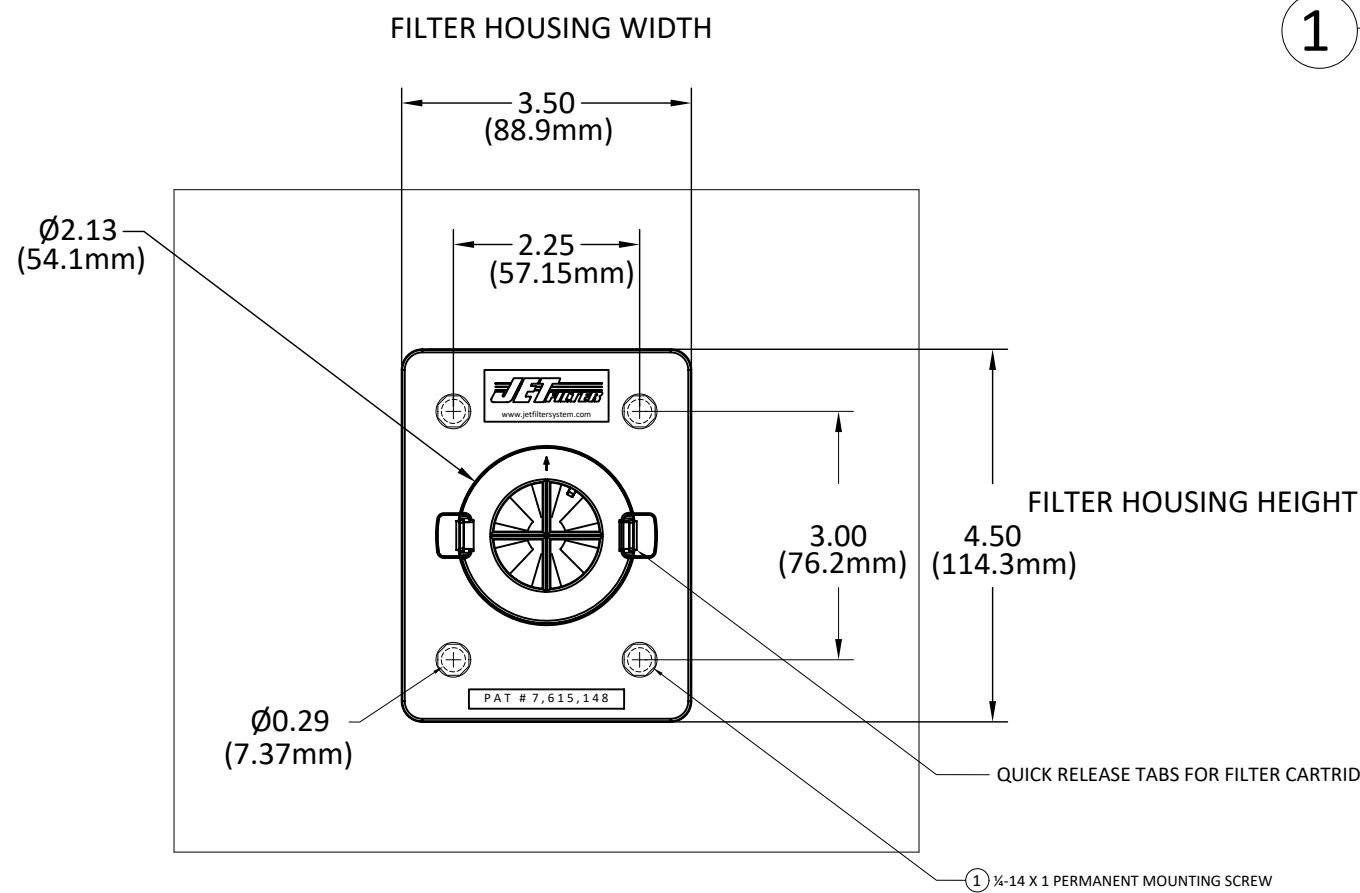
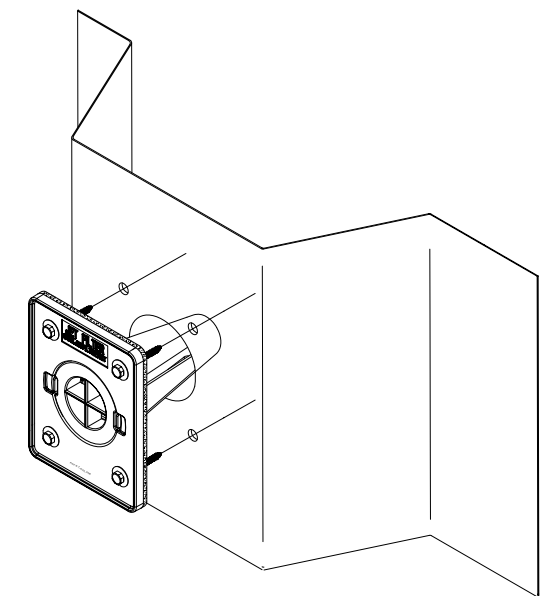
Plastic Piling Company  
 www.plasticpiling.ninja  
 Tel 01543 677290



#	ITEM	DESCRIPTION	QTY
1	Screw, Filter Housing Mtg.	¼-14 X 1" Screw, 316 Stainless Steel	4
2	JF2.5-H/color	Filter Housing Assembly/*note the color*	1
3	JF2.5-FC/color	Filter Cartridge Assembly/*note the color*	1
4	Gasket, Mounting	Neoprene Rubber/EPDM Polymeric Blend	1

**PILOT HOLE SIZES FOR MOUNTING:**  
 VINYL: PILOT HOLE NOT REQUIRED  
 COMPOSITE: PILOT HOLE NOT REQUIRED  
 WOOD: PILOT HOLE NOT REQUIRED  
 CONCRETE/MSE: 3/16 (4.76mm)

**AVAILABLE COLORS:** SLATE  
 BROWN  
 CLAY  
 GRAY



Filter Housing Cone: UV Protected ABS Plastic  
 Filter Cartridge: UV Protected ABS Plastic  
 Filter Media: 2.99 sq in (1929 sq mm) of flowable Tencate Mirafi Woven Fabrics FW300  
 Available Colors: Slate, Grey, Brown and Clay

UNLESS OTHERWISE SPECIFIED, DIMENSIONS ARE IN INCHES  
**TOLERANCES:**  
 ANGULAR: ± 1.0°  
 TWO PLACE DECIMAL: ± 0.01  
 THREE PLACE DECIMAL: ± 0.005

REV	DATE	DESCRIPTION	INITIALS
01	20210609	ADDED PROTECT CAPS, QR CODE, NOTES, SHEETPILE VIEW & SHADED WALLS	LB
02	20220225	ADDED METRIC MEASUREMENTS	LB
03	20220325	INCREASED LINE THICKNESS AND ADDED COLOR INFORMATION	LB
04	20250123	ADDED THE MOUNTING GASKET	LB
05	20250227	ADDED A QR CODE LINK TO THE WEBSITE	LB

**JET Filter System** / 107 NW 1st St.  
 Casey, IL 62420  
 (800)475-2029  
 info@jetfiltersystem.com  
 DRAWING NAME: 2.5" (63.5mm) Dia. Open End JET Filter  
 PATENT # 7,615,148

DRAWN BY: LB	DRAWING NO: 20250227	SCALE: 1:1	REV: 05
SHEET 1 OF 1		JF2.5ABS	1